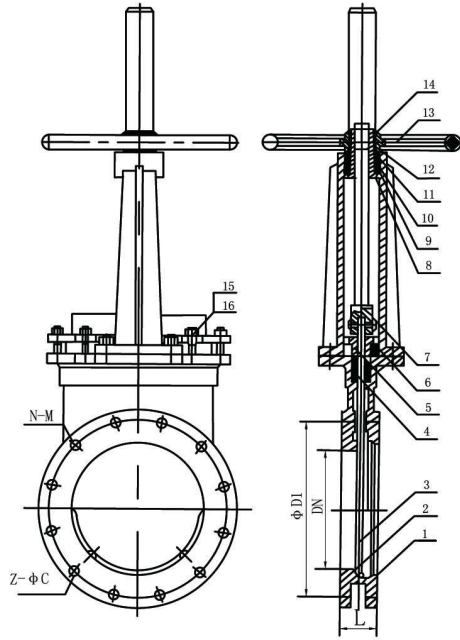
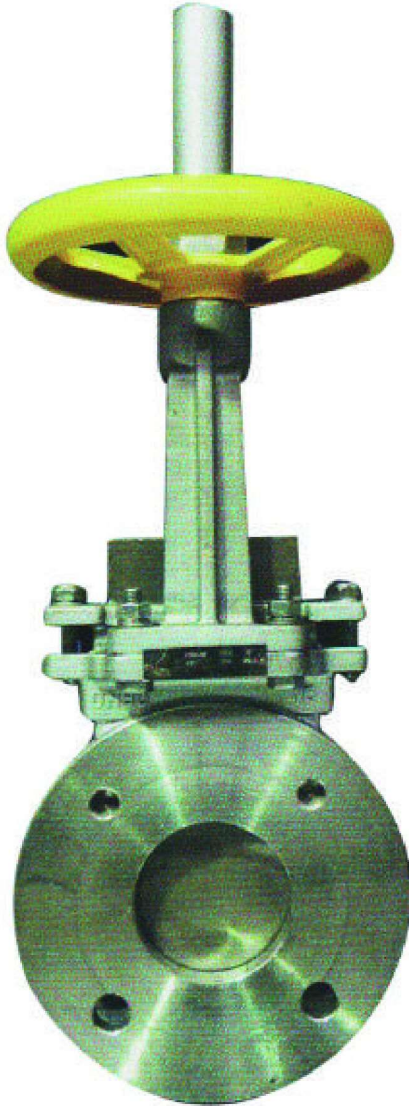




VALVES AND FITTINGS SUPPLIES

SPWKGV WAFER STAINLESS STEEL KNIFE GATE VALVES

■ 316 S/S



16	Nut	8
15	Bolt	B8
14	Lock Nut	1035
13	Handwheel	HT200
12	Key	1045
11	Bear Gland	1035
10	Bush	1045
9	Bearing	Bearing steel
8	Yoke Sleeve	Bronze Alloy
7	Stem	ss304
6	Yoke	CF8
5	Gland	CF8
4	Packing	PTFE
3	Disc	ss316
2	Seat	EPDM
1	Body	CF8
NO.	Name	Material

DN	L	D1	N-M	Z-M
50	45	114	2-M16	2-M16
80	45	146	2-M16	2-M16
100	46	178	2-M16	6-M16
150	52	235	2-M20	6-M20
200	55	292	2-M20	6-M20
250	73	356	4-M20	8-M20
300	73	406	4-M24	8-M24